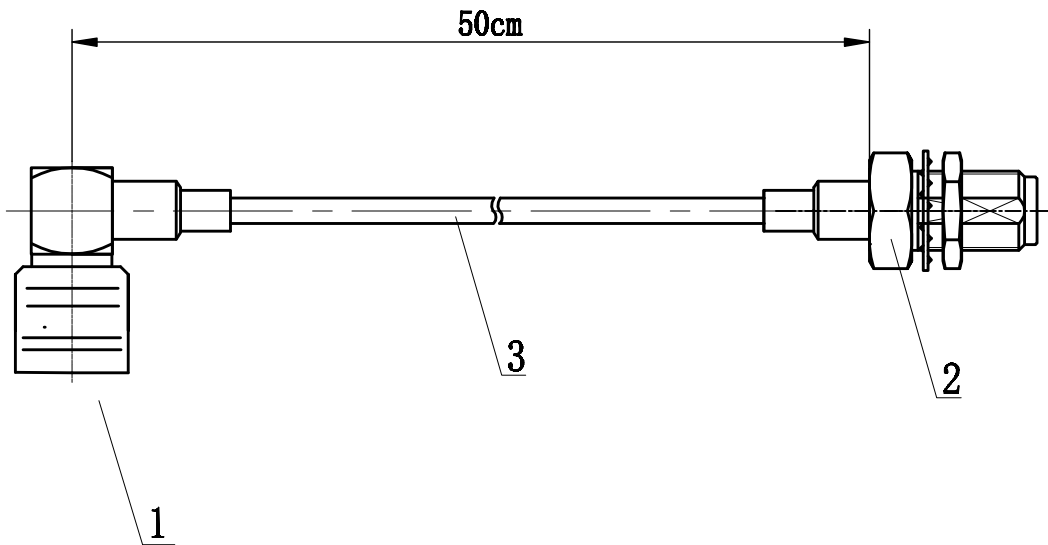




PN: SMAK-QMAJ-50



**Specifications:**

1、 Impedance:50Ohms;

2、 Frequency

Range:0~6G

0-3GHz VSWR ≤ 1.2;

3-6GHz VSWR ≤ 1.5

3、 Working

Voltage:500V rms@sea level.

4、 Insulation

Resistance:5000 Ohms min

5、 PIM ≤ -120dBc

6 ROHS

NO	DESCRIPTION	MATERIAL	FINISH	QTY
3	Cable	RG402	blue	1
2	SMA Female	Brass	Au	1
1	QMA Male Right Angle	Brass	CuSnZn	1

**RG-402 Patch Cable  
SMA Female to  
QMA Male Right Angle  
Low PIM 50cm**

1.0

1

1