

## Powertec RF Adapter 4.3-10 Female to N Male

### Model Number

AD-432N1

### GTIN-13

9337692001574

### Component Type

RF Adapter

### Usage

IBC / DAS

### RF Category

Cellular



4.3-10 Female to N Male adapters are most commonly used to convert older N-Type antennas to the latest generation 4.3-10 interface. This adapter typically threads onto an N Female interface (such as at the base of an antenna) and allows the attachment of a 4.3-10 feeder cable. This coaxial adapter is IEC 61169-54 and IEC 61169-16 compliant and supports frequencies up to 6 GHz.

This RF adapter is straight-bodied and is a free-hanging design, which refers to its lack of any form of mounting mechanism.

- IP67 ingress protection on 4.3-10 interface
- Manufactured under strict ISO 9001 procedures
- RoHS and REACH compliant
- Low PIM design

# Component Technical Data

## PHYSICAL CHARACTERISTICS

Body Material(s)	Brass	Contact Material(s)	Phosphor Bronze
Body Plating	Ternary Alloy	Contact Plating	Silver
Dimensions	39 x 20 x 20 mm	Operating Temperature	-65 °C to 165 °C
Weight	100 g	Mating Cycles	> 500
Mechanical Shock	MIL-STD-202 M.213 C.D	Vibration	MIL-STD-202 M.204 C.A

## RF PERFORMANCE

Frequency Range	0 to 6000 MHz	Input Impedance	50 Ω
VSWR	< 1.25:1	Insertion Loss	< 0.1 dB
PIM, 3 <sup>rd</sup> Order	< -160 dBc	Working Voltage	500 Vrms

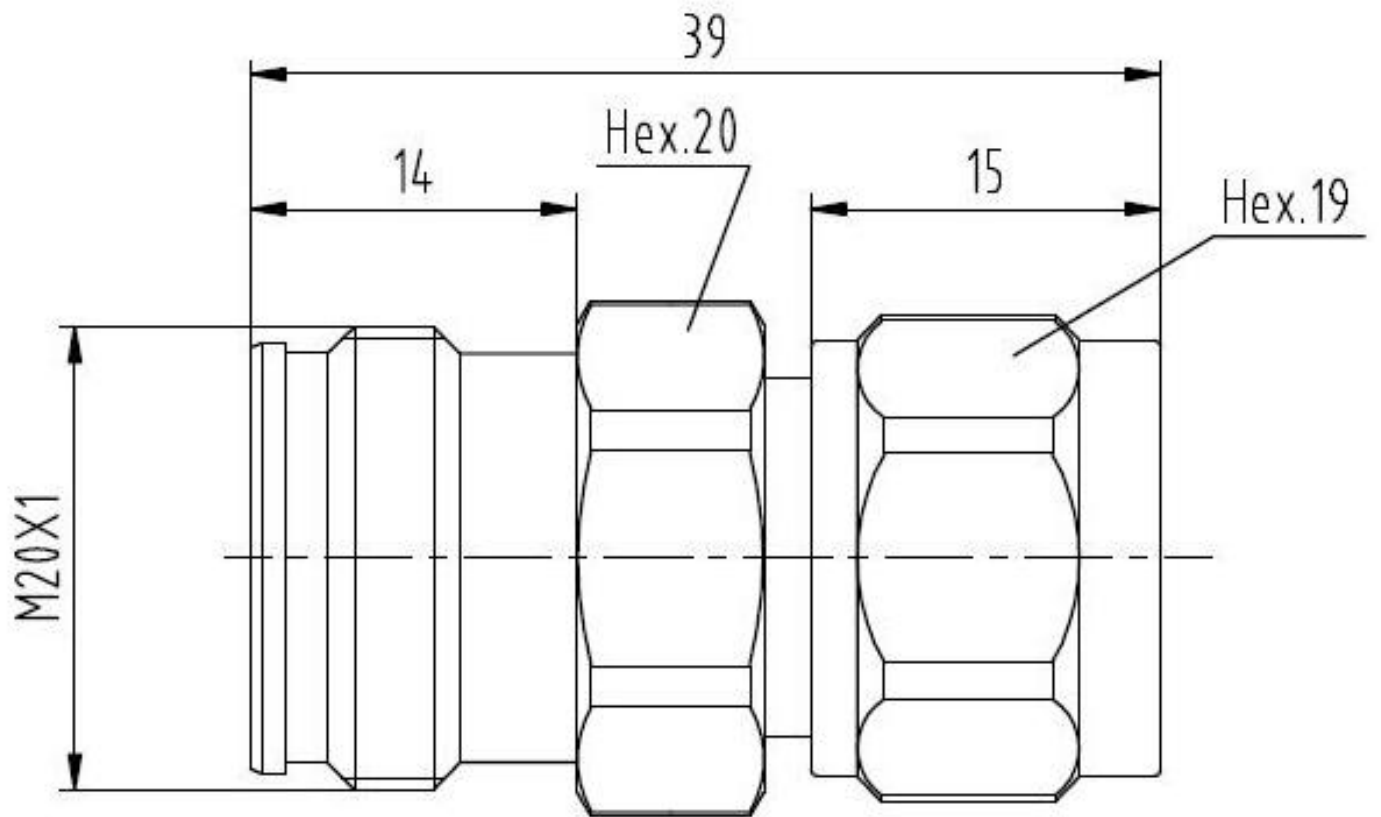
## INTERFACE #1

Series	4.3-10	Body Shape	Straight
Gender	Female	Mounting	Free Hanging

## INTERFACE #2

Series	N	Body Shape	Straight
Gender	Male	Mounting	Free Hanging

# CAD Drawing





Document Generated on 3/06/2022 7:25 PM

Disclaimer: Although care has been taken to ensure the accuracy, completeness and reliability of the information provided, Powertec assumes no responsibility therefore. The user of the information agrees that the information is subject to change without notice. Powertec assumes no responsibility for the consequences of use of such information, nor for any infringement of third party intellectual property rights which may result from its use. IN NO EVENT SHALL POWERTEC BE LIABLE FOR ANY DIRECT, INDIRECT, SPECIAL, OR INCIDENTAL DAMAGE RESULTING FROM, ARISING OUT OF OR IN CONNECTION WITH THE USE OF THE INFORMATION.



**OBSEQUENTIA**  
SAFETY CERTIFIED  
AS/NZS 4801:2001



**OBSEQUENTIA**  
QUALITY CERTIFIED  
ISO 9001:2015



**OBSEQUENTIA**  
ENVIRONMENT CERTIFIED  
ISO 14001:2015

