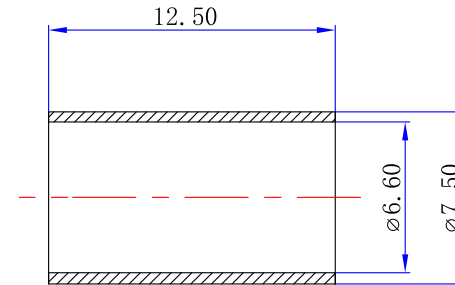
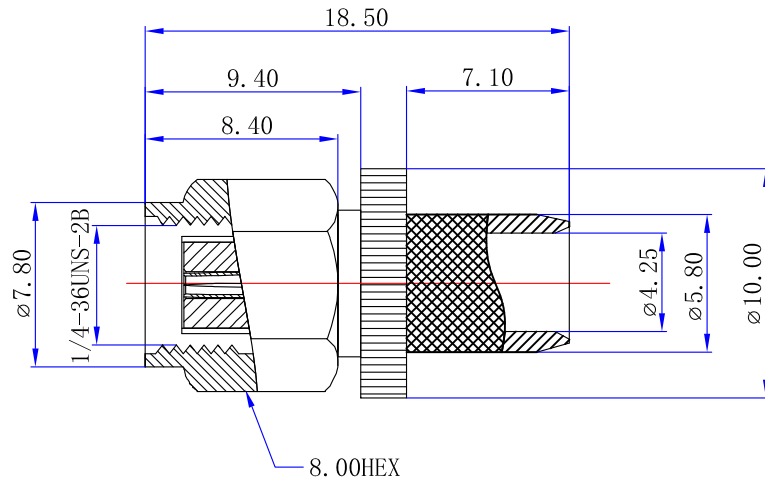




Product NO.		RP-SM-240		
REV	DESCRIPTION	DWN	DATE	APPROVEN
A	First issue	Gavin	2020/07/10	John kine



Specification:

Impedance: 50 Ohms
 VSWR: 1.5MAX
 Frequency range: DC~6G
 Working Voltage: 260V rms @ sea level
 Insulation resistance: 5000 Ohms min
 Temperature range: -55°C TO +155°C

1	BODY	Brass	GOLD	1
2	INSULATOR	PTFE	NONE	1
3	PIN	BRASS	GOLD	1
4	COPPER PIPE	BRASS	NICKEL	1
5				
6				
7				
8				
9				
10				
NO	Component Number	Material	Finish	QTY

NOTE:	
DRAWN	Gavin
CHECKED	
APPROVALS	John kine

Tolerance	0.5 - 8mm ± 0.20mm 8 - 30mm ± 0.25mm 30 - 120mm ± 0.30mm
View	
UNIT	MM
SCALE	1:1

radiofrequency engineering

Name: RP-SMA Male connector for LMR-240 cable

SIZE A	Product NO. RP-SM-240	REV A
DateTime	2020/7/10	CAD FILE D/company drawings/BD
SHEET: 1 OF 1		