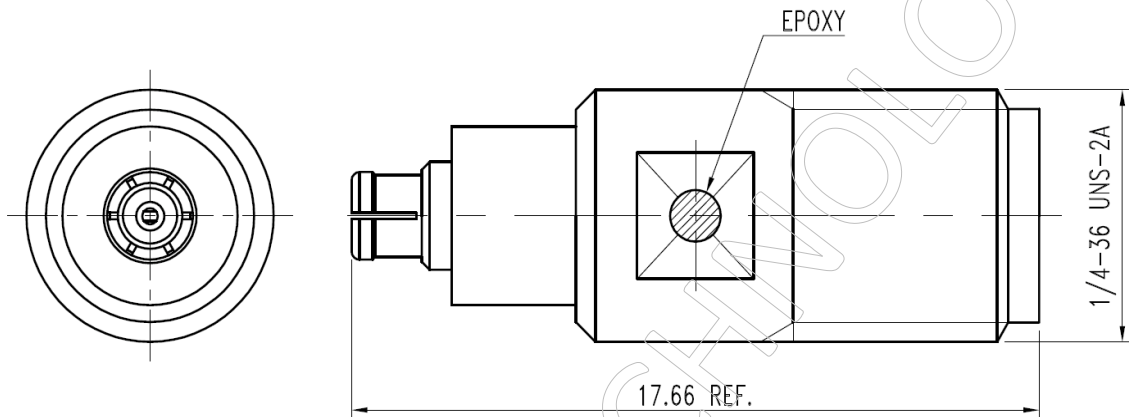


■ **Outline Dimension Drawing**

Dimensions: mm[inch]



■ **Material Specification**

Description	Material	Plating
Body	Brass	Gold
Body	BeCu	Gold
Contact	BeCu	Gold
Dielectric*2	PTFE	

In the effort to improve our products, we reserve the right to make changes judged to be necessary.

■ Electrical Specification

Description		Description	
Impedance	50 Ω	Insulation Resistance	5000 MΩ Min.
Frequency	18 GHz Max.	Inner Contact Resistance	6.0 mΩ Max.
VSWR	1.4 Max.	Outer Contact Resistance	2.0 mΩ Max.
Insertion Loss	N/A dB		
Voltage Rating	325 Vrms Max.		
Dielectric Withstanding Voltage	500 Vrms Max.		

■ Mechanical Specification

Description		Description	
Center Contact		Recommended Torque	N/A in. lbs
Axial Force-Mating End	N/A lbs.		
Axial Force-Opposite End	N/A lbs.		
Connector Durability	100 cycles		
Weight	2.121 g		

■ Environmental Specification

Description	
Temperature Min.	-55 °C
Temperature Max.	155 °C
Hermetic Seal	N/A

In the effort to improve our products, we reserve the right to make changes judged to be necessary.