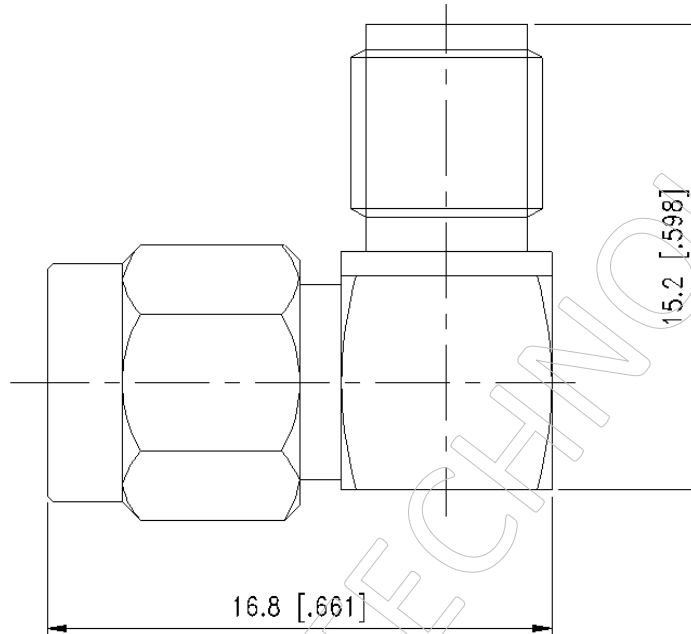


■ **Outline Dimension Drawing**

Dimensions: mm[inch]



■ **Material Specification**

Description	Material	Plating
Body*2	Brass	Gold
Contact	BeCu	Gold
Dielectric*2	PTFE	
Gasket	S.I.R	Red
R/ring	SUS304	
Coupling nut	Brass	Gold

In the effort to improve our products, we reserve the right to make changes judged to be necessary.

Electrical Specification

Description		Description	
Impedance	50 Ω	Insulation Resistance	5000 M Ω Min.
Frequency	18 GHz Max.	Inner Contact Resistance	6.0 m Ω Max.
VSWR	1.25 Max.	Outer Contact Resistance	2.0 m Ω Max.
Insertion Loss	0.25 dB		
Voltage Rating	550 Vrms Max.		
Dielectric Withstanding Voltage	1000 Vrms Max.		

Mechanical Specification

Description		Description	
Center Contact		Recommended Torque	7-10 in. lbs
Axial Force-Mating End	6.0 lbs.		
Axial Force-Opposite End	N/A lbs.		
Connector Durability	500 cycles		
Weight	N/A g		

Environmental Specification

Description		Description	
Temperature Min.	-65 $^{\circ}$ C		
Temperature Max.	165 $^{\circ}$ C		
Hermetic Seal	N/A		

In the effort to improve our products, we reserve the right to make changes judged to be necessary.