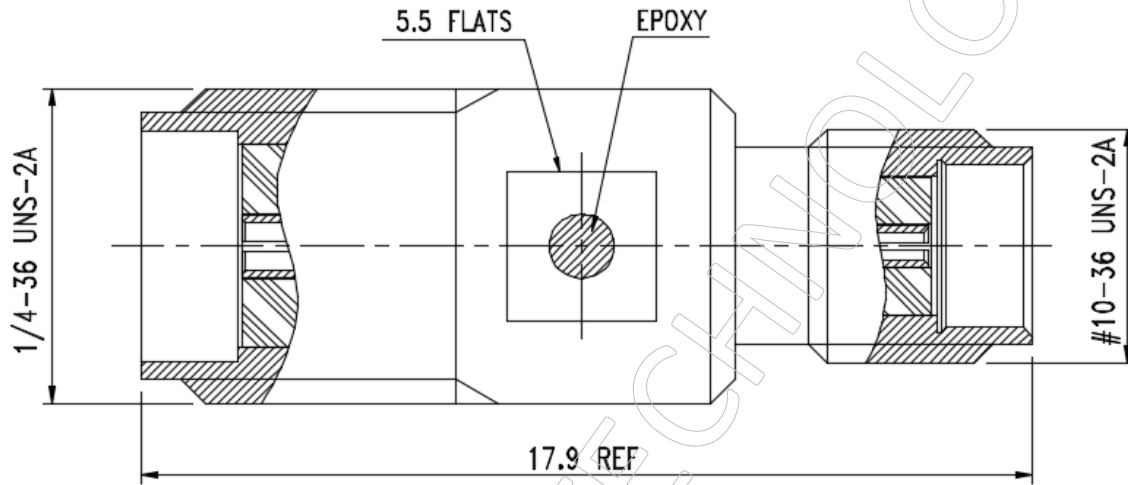


■ **Outline Dimension Drawing**

Dimensions: mm[inch]



■ **Material Specification**

Description	Material	Plating
Body	SUS303	Passivate
Contact	BeCu	Gold
Dielectric	PTFE	

In the effort to improve our products, we reserve the right to make changes judged to be necessary.

**■ Electrical Specification**

Description			Description		
Impedance	50	Ω	Insulation Resistance	5000	MΩ Min.
Frequency	18	GHz Max.	Inner Contact Resistance	6	mΩ Max.
VSWR	1.3	Max.	Outer Contact Resistance	2	mΩ Max.
Insertion Loss	N/A	dB			
Voltage Rating	500	Vrms Max.			
Dielectric Withstanding Voltage	335	Vrms Max.			

**■ Mechanical Specification**

Description			Description		
Center Contact			Recommended Torque	7-9	in. lbs
Axial Force-Mating End	2	lbs.			
Axial Force-Opposite End	0.13	lbs.			
Connector Durability	500	cycles			
Weight	N/A	g			

**■ Environmental Specification**

Description		
Temperature Min.	-65	°C
Temperature Max.	165	°C
Hermetic Seal	N/A	

In the effort to improve our products, we reserve the right to make changes judged to be necessary.